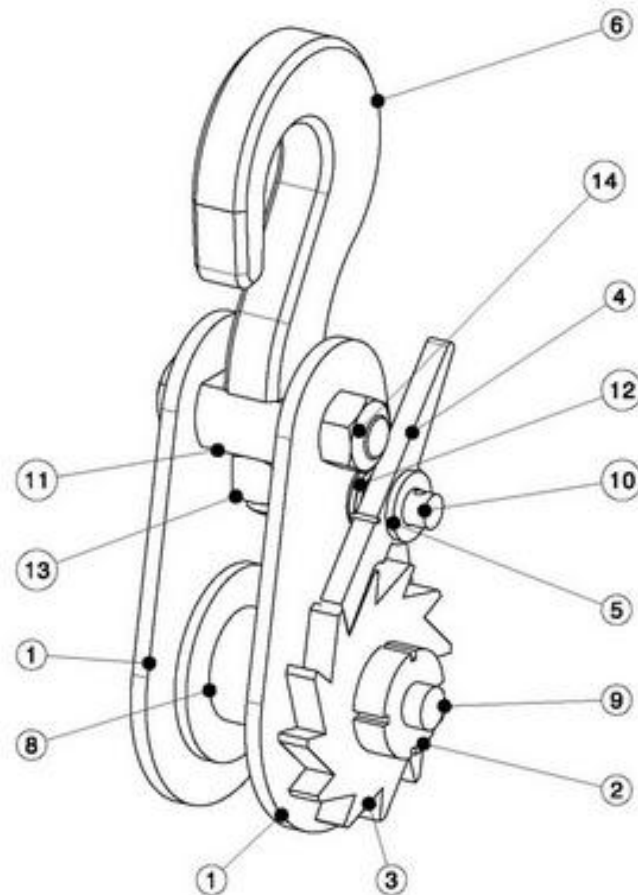
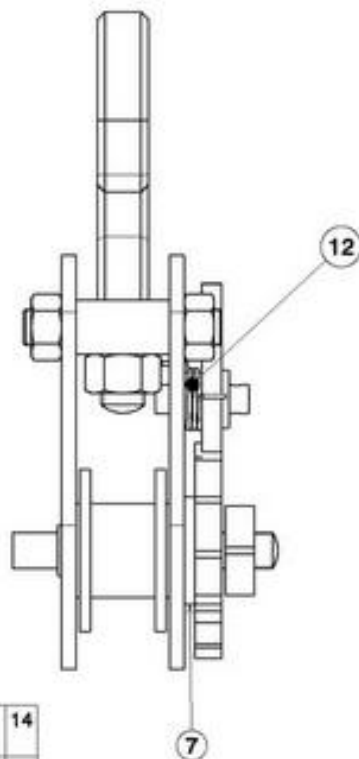
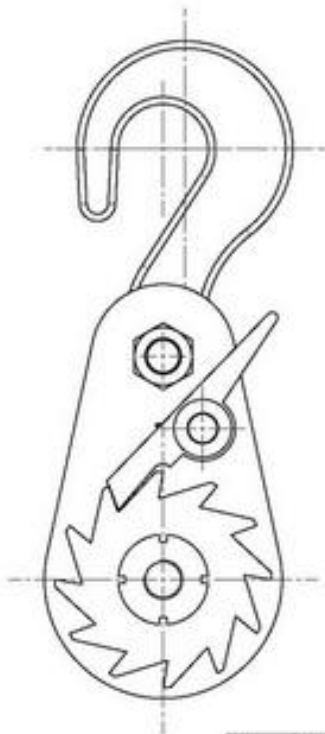




DESIGNED BY: <b>Cirilo Vilar</b>		<b>TRÓCOLA</b>	I	-
DATE:			H	-
CHECKED BY: XXX		<a href="http://planosconciri.blogspot.com/">http://planosconciri.blogspot.com/</a>	G	-
DATE: XXX			F	-
SIZE	A3		E	-
SCALE	1:1		D	-
DESIGNER (1st)	XXX	C	-	
DRAWING NUMBER		B	-	
SHEET		A	-	
			1/10	

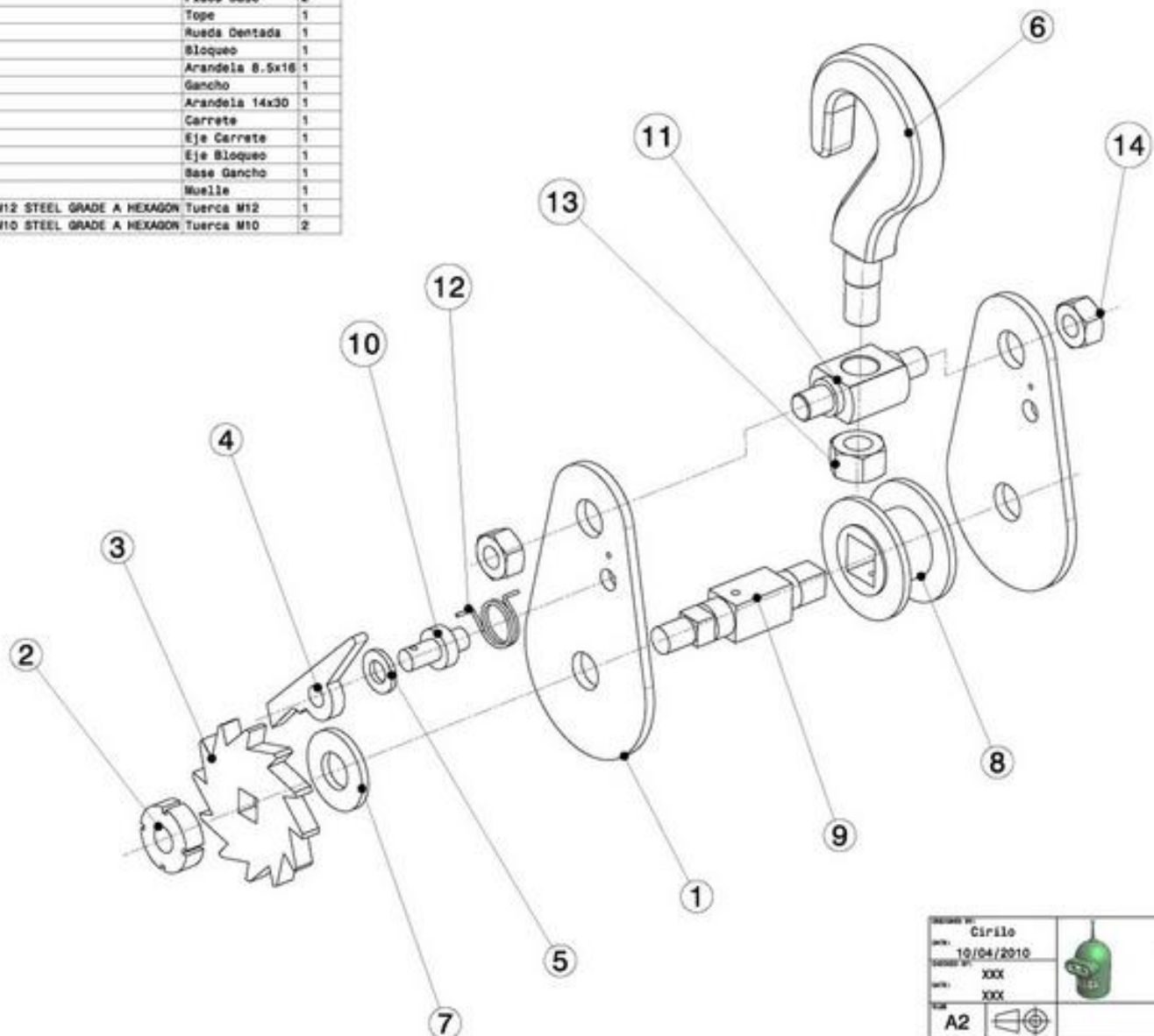
This drawing is our property; it can't be reproduced or communicated without our written agreement.




2	14	ISO 4032 NUT M10 STEEL	14
1	13	ISO 4032 NUT M12 STEEL	13
1	12	Muelle	12
1	11	Base Gancho	11
1	10	Eje Bloqueo	10
1	09	Eje Carrete	9
1	08	Carrete	8
1	07	Arandela 14x30	7
1	06	Gancho	6
1	05	Arandela 8.5x16	5
1	04	Bloqueo	4
1	03	Rueda Dentada	3
1	02	Tope	2
2	01	Placa Base	1
Cant.	Part	Nomenclatura	Nº

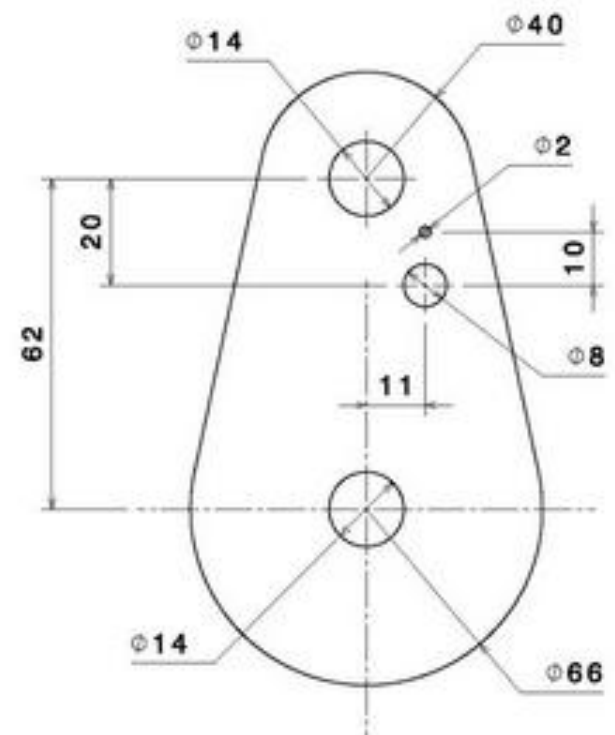
DESIGNADO BY: Cirilo			<b>TRÓCOLA</b>	I	-
DATE: 25/06/2009	XXX			H	-
CHECKED BY:	XXX	G	-	F	-
DATE:	XXX	E	-	D	-
SIZE: <b>A3</b>		<b>MONTAJE TRÓCOLA</b>		C	-
SCALE:	1:1	WEIGHT (KG):	0,14	DRAWING NUMBER:	1+2+3+4+5+6+7+8+9+10+11+12
				SHEET:	2/10
<small>This drawing is our property; it can't be reproduced or communicated without our written agreement.</small>					
				A	-

Part	Descripción	Cantidad
1	Placa Base	2
2	Tope	1
3	Rueda Dentada	1
4	Bloqueo	1
5	Arandela 8.5x16	1
6	Gancho	1
7	Arandela 14x30	1
8	Carrete	1
9	Eje Carrete	1
10	Eje Bloqueo	1
11	Base Gancho	1
12	Muelle	1
13	ISO 4032 NUT M12 STEEL GRADE A HEXAGON Tuerca M12	1
14	ISO 4032 NUT M10 STEEL GRADE A HEXAGON Tuerca M10	2



DESIGNER BY Cirilo		<b>TRÓCOLA</b>		1	-	
DATE 10/04/2010				H	-	
DRAWN BY XXX				B	-	
CHECKED BY XXX				F	-	
SCALE A2			<b>DESPIECE</b>		E	-
SCALE 1:1	WEIGHT (kg) XXX	QUANTITY (pcs) 1+2+3+4+5+6+7+8+9+10+11+12+13+14			D	-
<small>This drawing is not protected by copyright or other intellectual property rights.</small>					C	-
					B	-
					A	-

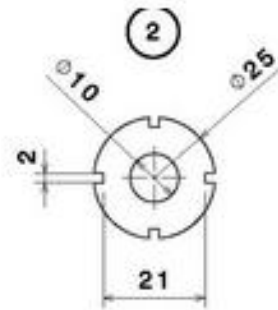
4  
3  
2



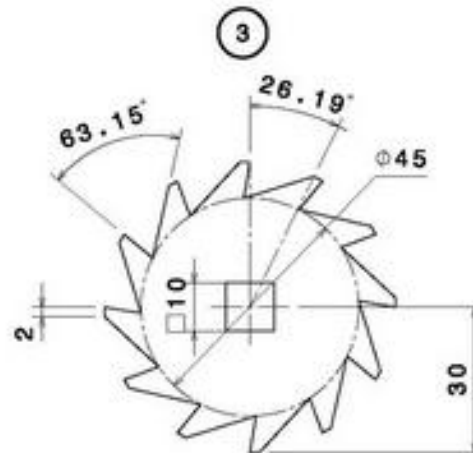
Grueso chapa: 4mm. Todos los agujeros pasantes

DESIGNO BY: <b>Cirilo</b>			<b>TROCOLA</b>		I	-
DATE: <b>10/04/2010</b>					H	-
CHECKED BY: <b>XXX</b>					G	-
DATE: <b>XXX</b>		F	-	E	-	
SIZE: <b>A4</b>		<b>PLACA BASE</b>		D	-	
SCALE: <b>1:1</b>	WEIGHT (kg): <b>0,02</b>	DRAWING NUMBER: <b>1</b>	DEPT: <b>4/10</b>	C	-	
This drawing is our property; it can't be reproduced or communicated without our written agreement.				B	-	
				A	-	

D  A



Grueso: 8 mm.

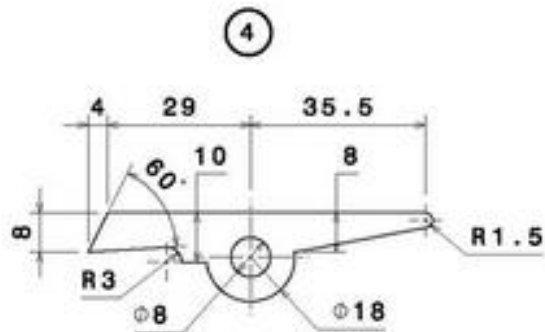


grueso: 7,5 mm.  
(12 dientes)

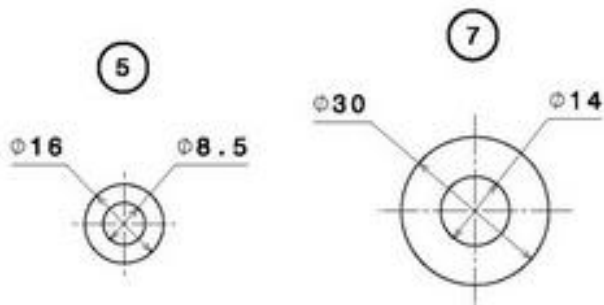
DESIGNADO BY: Cirilo		<b>TROCOLA</b>	I	-
DATE: 10/04/2010			H	-
CHECKED BY: XXX			G	-
DATE: XXX	F	-	E	-
SIZE: <b>A4</b>		<b>TOPE + RUEDA DENTADA</b>	D	-
SCALE: <b>1:1</b>	WIDTH (14): <b>0,00</b>	DRAWING NUMBER: <b>2 + 3</b>	C	-
		SIZE: <b>5/10</b>	B	-
This drawing is our property; it can't be reproduced or communicated without our written agreement.			A	-

D

A




Grueso: 5,5 mm.

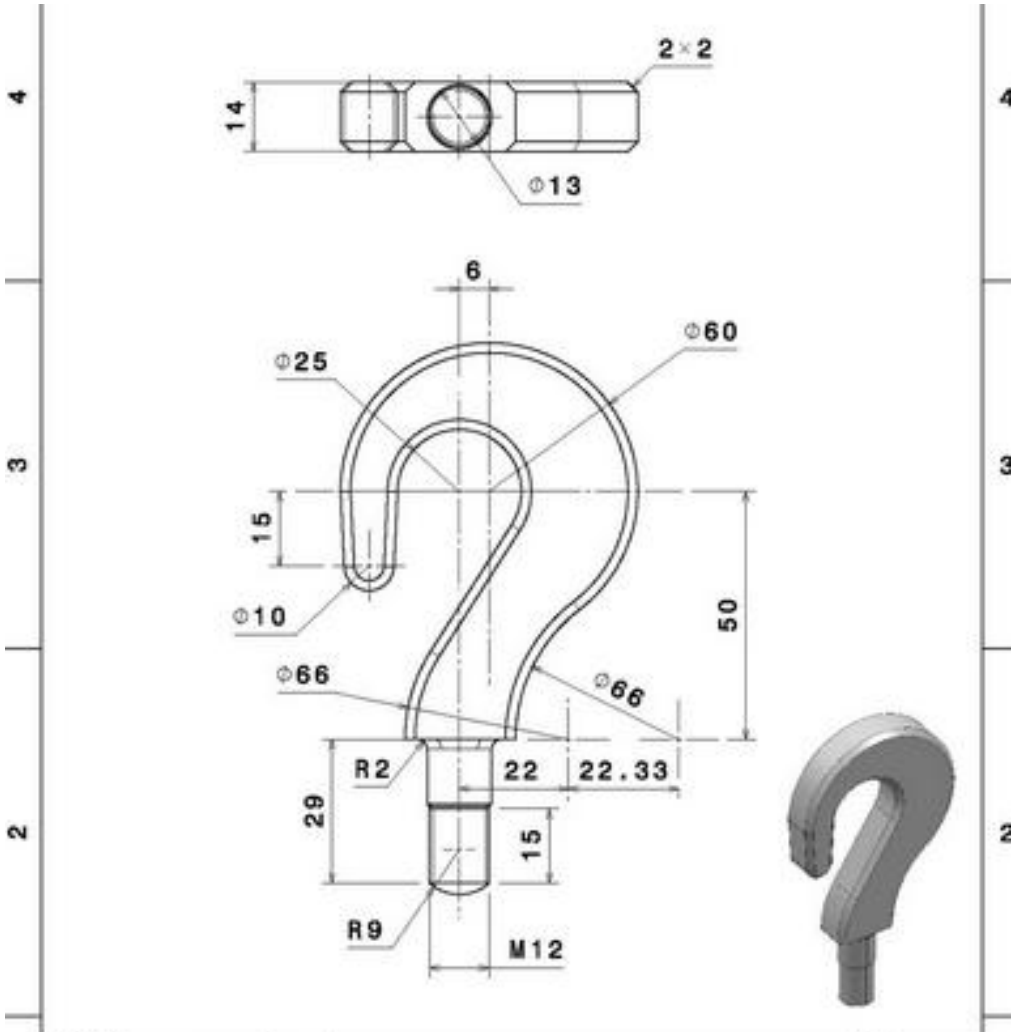


Grueso: 2 mm.

Grueso: 3 mm.

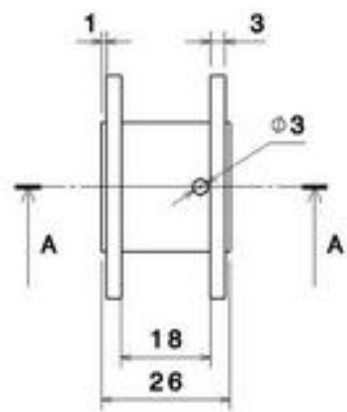
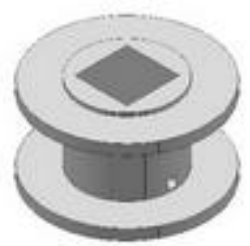
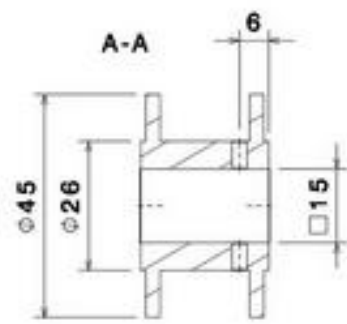
Todos los agujeros pasantes


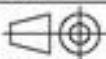
DISEÑADO BY: <b>Cirilo</b>			<b>TROCOLA</b>		I	-
DATE: <b>10/04/2010</b>					H	-
CHECKED BY: <b>XXX</b>		<b>BLOQUEO + ARANDELAS</b>		G	-	
DATE: <b>XXX</b>				F	-	
SIZE: <b>A4</b>		<b>4 + 5 + 7</b>		E	-	
SCALE: <b>1:1</b>	WEIGHT (kg): <b>0,00</b>			QUANTITY NUMBER: <b>6/10</b>	D	-
This drawing is our property. It can't be reproduced or commercialized without our written agreement.				C	-	
				B	-	
				A	-	



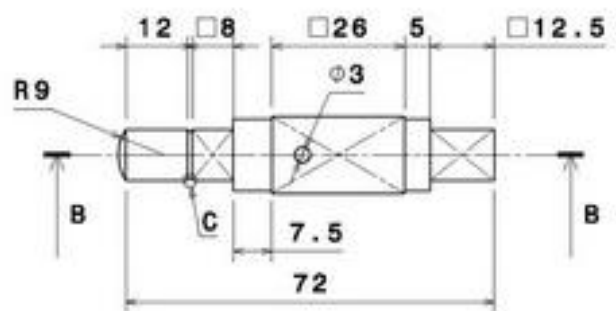
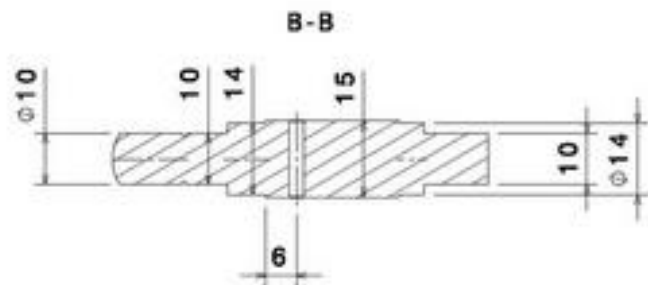
DESIGNED BY: <b>Cirilo</b>		<b>TROCOLA</b>		I	-
DATE: <b>10/04/2010</b>				H	-
CHECKED BY: <b>XXX</b>		<b>GANCHO</b>		G	-
DATE: <b>XXX</b>				F	-
SIZE: <b>A4</b>		<b>GANCHO</b>		E	-
SCALE: <b>1:1</b>				D	-
WEIGHT (kg): <b>0,04</b>	DRAWING NUMBER: <b>6</b>	SHEET: <b>7/10</b>	C	-	
This drawing is our property; it can't be reproduced or communicated without our explicit agreement.			B	-	
			A	-	





DESIGNED BY: <b>Cirilo</b>			<b>TROCOLA</b>		I	-
DATE: <b>10/04/2010</b>					H	-
CHECKED BY: <b>XXX</b>			<b>CARRETE</b>		G	-
DATE: <b>XXX</b>					F	-
SIZE: <b>A4</b>			<b>8</b>		E	-
SCALE: <b>1:1</b>	WEIGHT (kg): <b>0,01</b>				DRAWING NUMBER: <b>8</b>	DATE: <b>8/10</b>
This drawing is our property; it can't be reproduced or communicated without our written agreement.					C	-
					B	-
					A	-



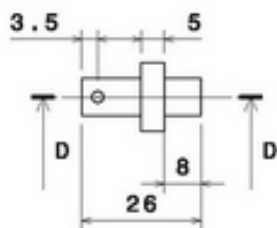
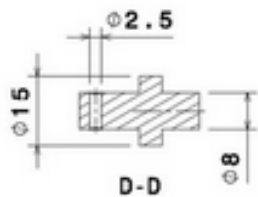


Detail C  
Scale: 4:1

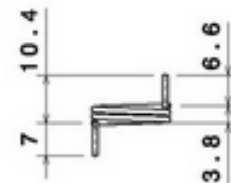
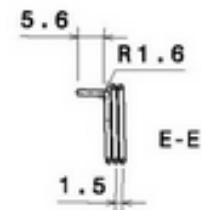
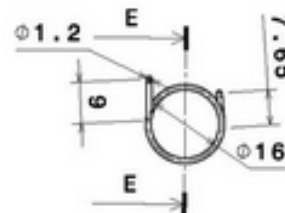


DESIGNED BY: <b>Cirilo</b>			<b>TROCOLA</b>		I	-
DATE: <b>10/04/2010</b>					H	-
CHECKED BY: <b>XXX</b>				G	-	
DATE: <b>XXX</b>				F	-	
SIZE: <b>A4</b>		<b>EJE CARRETE</b>		E	-	
SCALE: <b>1:1</b>	WEIGHT (14): <b>0,01</b>	DRAWING NUMBER: <b>9</b>	DEPT: <b>9/10</b>	D	-	
This drawing is our property; it can't be reproduced or commercialized without our written agreement.					C	-
					B	-
					A	-

10

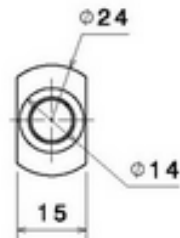
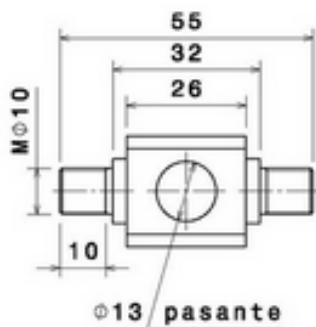


12




(Crear el muelle en contexto)

11



chafilán: 0.5 por ambas caras

DESIGNED BY: Círculo			<b>TROCOLA</b>	I	-
DATE: 10/04/2010	CHECKED BY: XXX			H	-
DATE: XXX	DATE: XXX	G	-		
SIZE: A3	SCALE: 1:1	F	-		
WEIGHT (kg): 0,00	DRAWING NUMBER: 10 + 11 + 12	E	-		
SHEET: 10/10		D	-		
This drawing is our property; it can't be reproduced or communicated without our written agreement.		C	-		
		B	-		
		A	-		